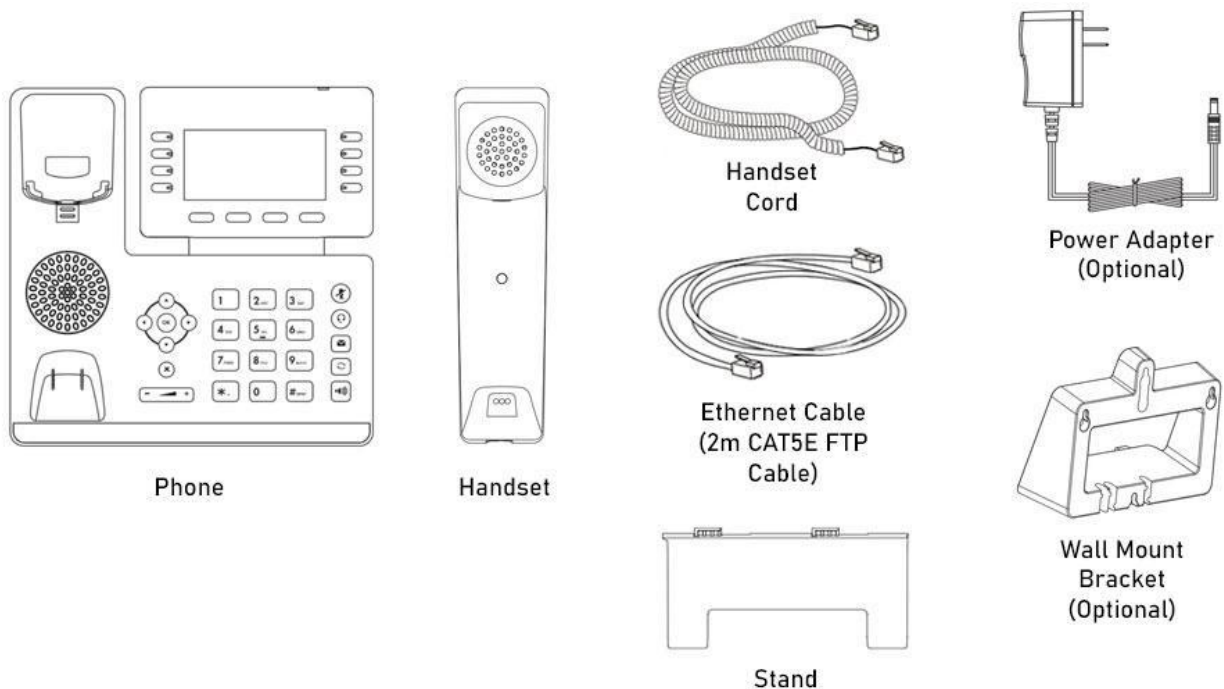


Yealink Desk Phone Installation Guide

Setting up your Yealink IP phone with TalkAnywhere is quick and easy! Follow the below instructions and if you have any questions please let us know.

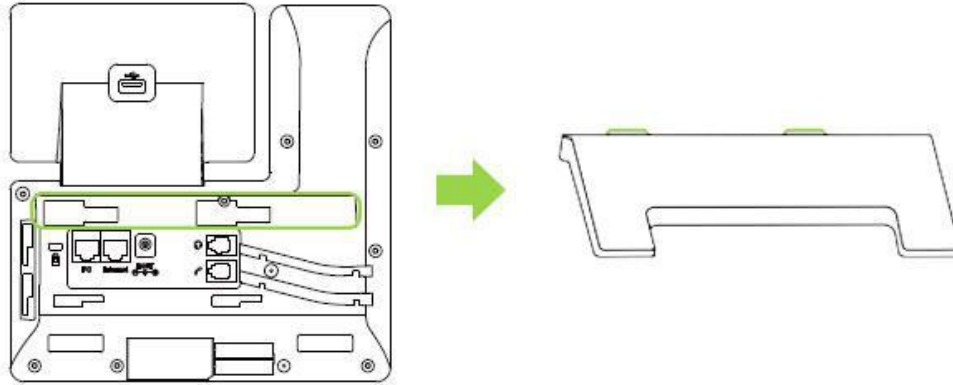
Items included in your Yealink phone box



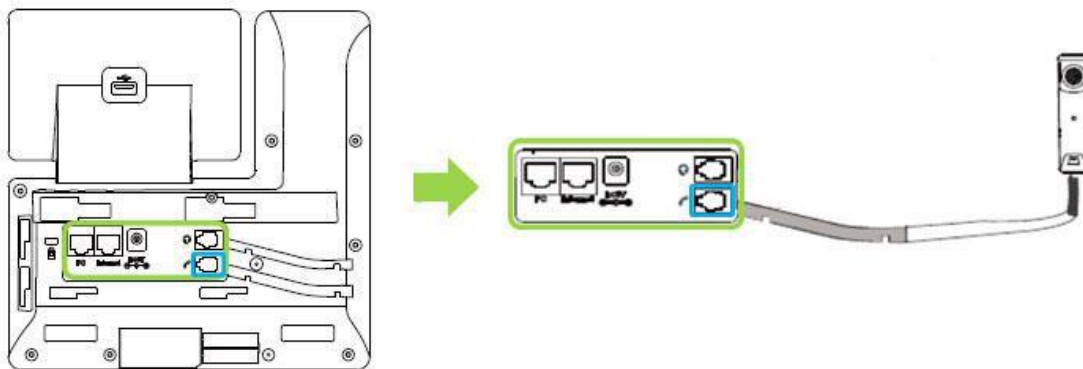
If there are any items that are not included in the box please let us know so we can take care of that right away. Reach out to us at myaccount.cyberlynk.net and include the phone model plus the assigned extension of that phone.

Adding and Removing the Base Stand

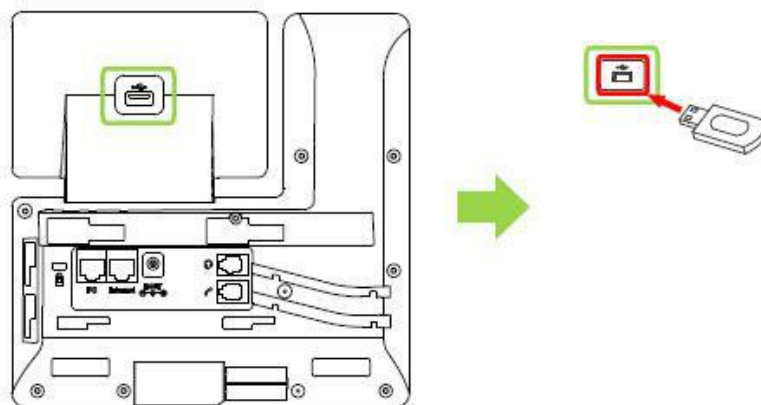
1. Attach the stand and adjust the angle of the screen (You can also mount the phone to a wall using an optional wall mount bracket. Contact us if you need to order this part).



2. Connect the handset.



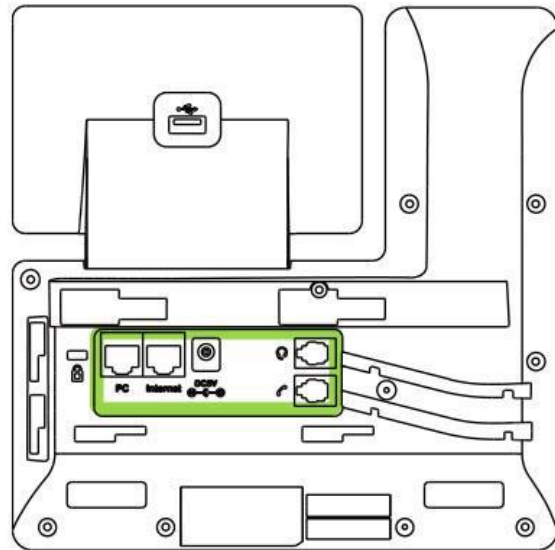
3. Connect the USB accessory if using other USB devices.



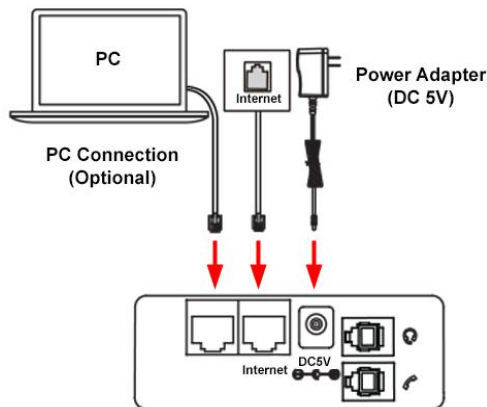
Connect the network and power

There are two options for network and power connections. *Check with your IT department on which one to use.*

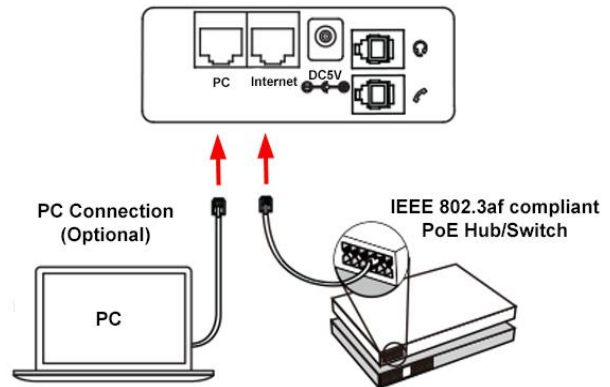
- AC Power Option
- PoE (Power over Ethernet) Option



AC Power Option



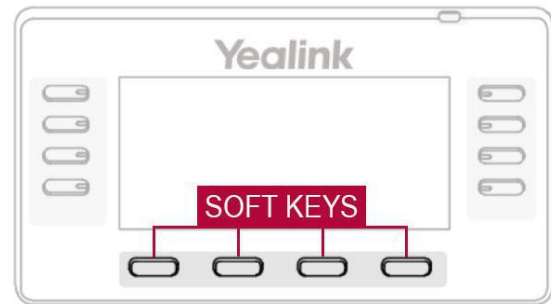
PoE (Power over Ethernet) Option



- *The IP phone should be used with Yealink's original power adapter (5V/1.2A) only. The use of the third-party power adapter may cause damage to the phone.*
- *If you are connecting a PC to your phone, we recommend using the Ethernet cable provided by Yealink. If inline power (PoE) is provided, you don't need to connect the power adapter. Make sure the hub/switch is PoE-compliant.*

Connecting through Wi-Fi

- Press *Menu* in the Soft Key row
- Select *Settings* and press *Enter*
- Select *Basic Settings* and press *Enter*
- Scroll to *Wi-Fi* and press *Enter*
- Select *Wi-Fi (toggle ON)* and press *Save*
 - Phone will scan available networks
- Scroll to *Available networks* and press *Enter*
- Select your wifi network and press *Connect*
- Select *Password* and type in wifi password ('abc' soft key will change between numbers and letters). Press *Connect*
- Selected network will now appear with a checkmark in the list of '*Available Networks*' showing that the connection was successful
- Press *Back* 4 times then *Exit* to return to main screen
- Once the phone is connected to the network and fully updated, the time, date, and name will appear on the display. The phone is now ready to place and receive calls.



If you need further assistance, please reach out to us at myaccount.cyberlynk.net. Once we receive your request one of our representatives will get back to you as soon as possible to help you with any of your phone system needs.