

## DECT Phone Installation Guide

Setting up your DECT Yealink phone with TalkAnywhere is quick and easy! Follow the below instructions and if you have any questions please let us know.

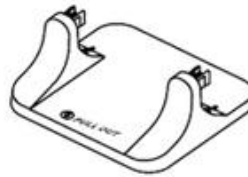
### Items included in your Yealink phone box



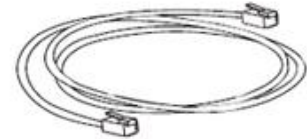
Base Station



Power Adapter



Base Stand



Ethernet Cable

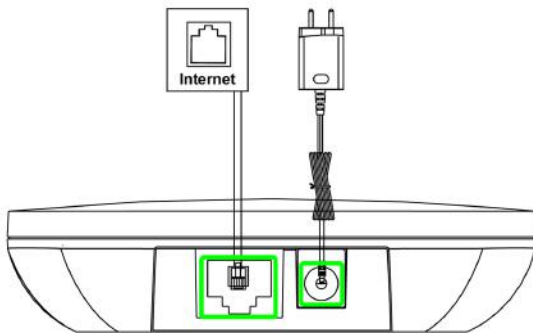
If there are any items that are not included in the box please let us know so we can take care of that right away. Reach out to us at [myaccount.cyberlynk.net](http://myaccount.cyberlynk.net) and include the phone model plus the assigned extension of that phone.

## Connect the network and power

There are two options for network and power connections. *Check with your IT department on which one to use.*

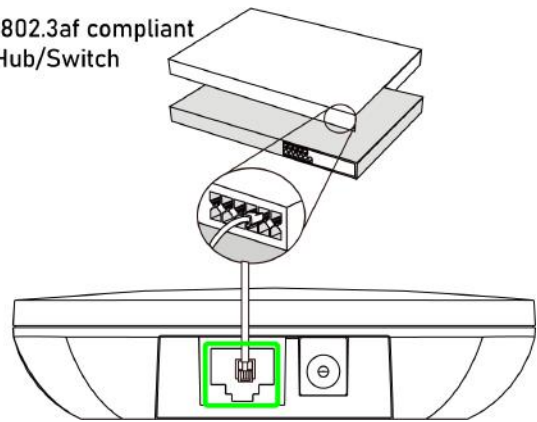
- AC Power Option
- PoE (Power over Ethernet) Option

### AC Power Option



### PoE (Power over Ethernet) Option

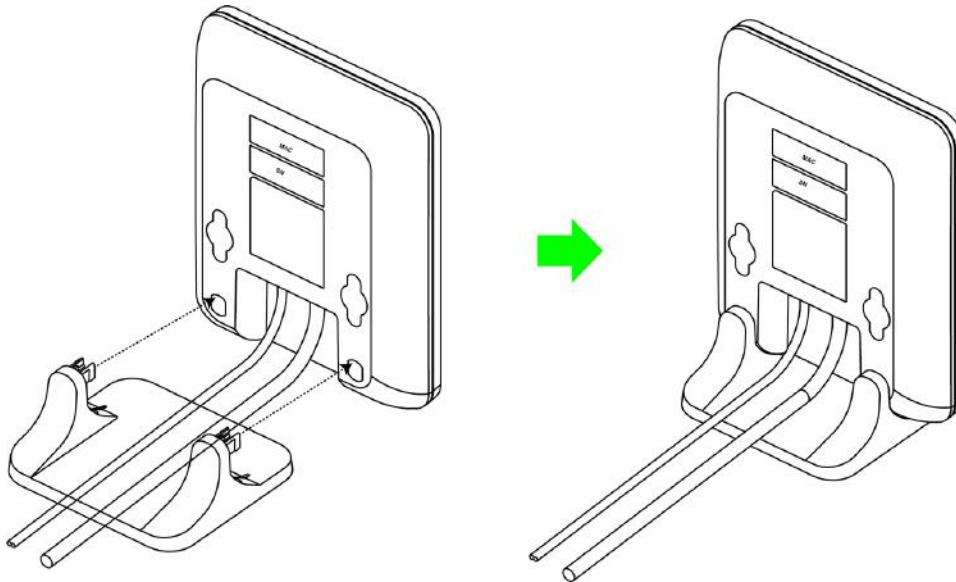
IEEE 802.3af compliant  
PoE Hub/Switch



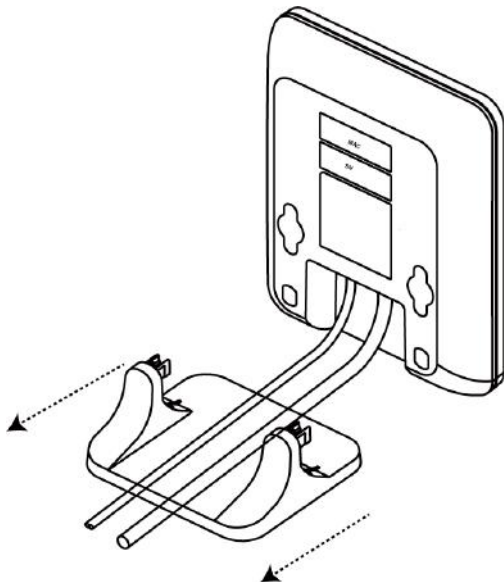
- *If you choose the AC Power Option, use Yealink supplied power adapter (5V/1.2A). A third-party power adapter may damage the device.*
- *If you choose the PoE Option, you do not need to connect the power adapter. Make sure the hub/switch is PoE-compliant.*

## Attaching and removing the base stand

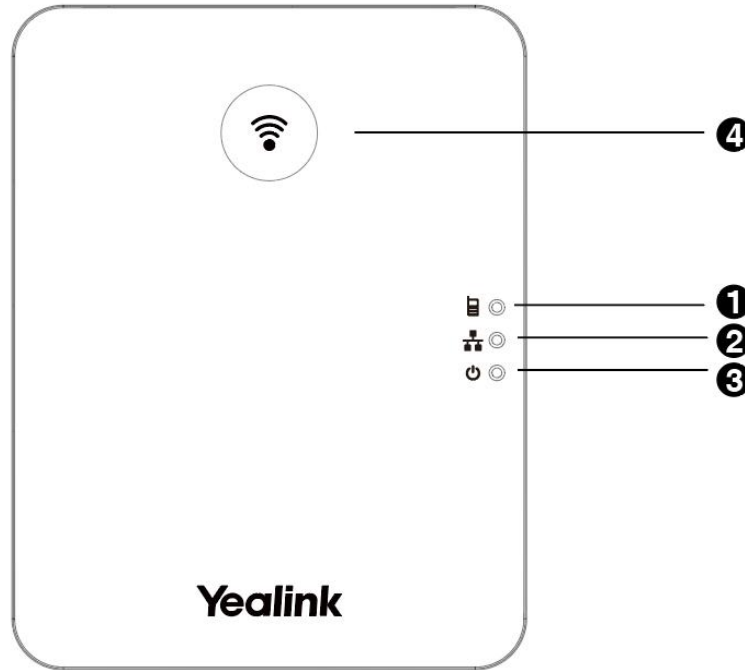
Attaching the base stand



Removing the base stand



LED Guide



1	Registration LED	Indicate the handset registration status or the base station is in the paging mode.
2	Network Status LED	Indicate the network status.
3	Power LED Indicator	Indicate the power status of the base station.
4	Paging Key	<ul style="list-style-type: none"> <li>• Locate a misplaced handset.</li> <li>• Toggle to select the registration mode.</li> <li>• Reset the base station to factory settings.</li> </ul>

*If you need further assistance, please reach out to us at [myaccount.cyberlynk.net](http://myaccount.cyberlynk.net). Once we receive your request one of our representatives will get back to you as soon as possible to help you with any of your phone system needs.*